



HYGIENIC PROCESS VALVES

F262 STAINLESS STEEL BALL VALVES

PENTAIR SÜDMO HYGIENIC PROCESS VALVES

STAINLESS STEEL BALL VALVES

DN 25 (1.0") - 100 (4.0")

The F262 stainless steel ball valve for corrosive and food services.

GENERAL APPLICATIONS

High cycling, heavy duty capable valve for product lines and services in the food, dairy industries etc.



TECHNICAL DATA

Size range:	DN 25 (1.0") - 100 (4.0")
Pressure rating:	DN 25 - 65 = 10bar DN 80 - 100 = 6bar
Temperature rating:	-30°C to 220°C
End connections:	BSM (RJT) (std) IDF (ISO 2853, BS 4825) Butt Weld (refer factory) Clamp Ends (refer factory)

FEATURES

- High quality PENTAIR product precision engineered for long life and low maintenance
- Full bore
- Very high cycling capability
- Exterior and interior surfaces are machined to hygienic standards
- Bubble tight shut-off for reliability
- A range of end connections including BSM/RJT and IDF
- Two piece construction
- Precision 316 S/S ball and stem as standard
- Quarter turn operation
- Field replaceable seats and seals
- Adjustable gland when actuator is fitted
- Full range of accessories
- PTFE seats and seals as standard

OPTIONAL VALVE VARIANTS

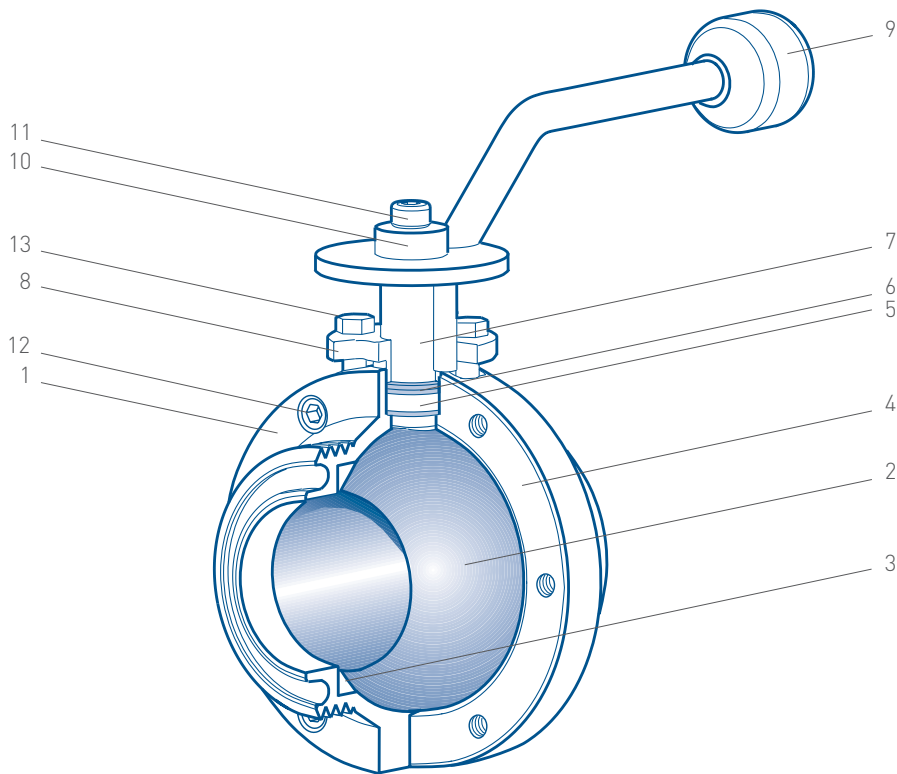
- **F262C CIP Ball Valve automated**
For automated cleaning/flushing of the body cavity
- **F262 Ball Valve with lockable handle**
For securing valve operation
- **F262C FLS Ball Valve with flushing ports**
For a flushable feature on manual valves



PENTAIR SÜDMO STAINLESS STEEL BALL VALVES

F262 DN 25 (1.0'') - 100 (4.0'')

TECHNICAL SPECIFICATIONS



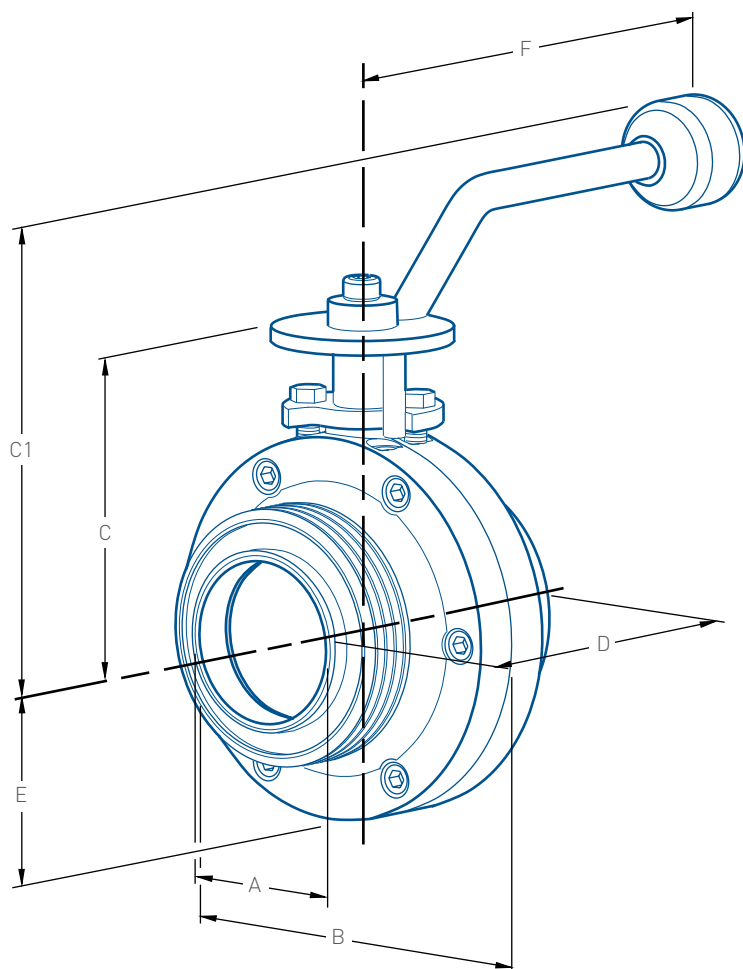
PARTS LIST

No.	Description	Material	Standard
1	Body	316L S/S	ASTM A276/ASTM A743 8M
2	Ball	316L S/S	ASTM A276
3	Seat	PTFE Glass reinforced PTFE	- -
4	Body seal	PTFE	-
5	Stem seal	PTFE	-
6	Gland packing	PTFE	-
7	Stem	316L S/S	ASTM A276
8	Gland follower	303 S/S	-
9	Handle	304 S/S	ASTM A276
10	Spacer	304 S/S	-
11	Handle screw	304 S/S	-
12	Body screw	304 S/S	ASTM A276
13	Gland retaining screw	304 S/S	ASTM A276

PENTAIR SÜDMO STAINLESS STEEL BALL VALVES

F262 DN 25 (1.0'') - 100 (4.0'')

TECHNICAL SPECIFICATIONS



DIMENSIONS (mm)

Valve size												Stem connection		Mass	K _v at full open
Metric	Inch OD	A	B	C	C1	D (BSM)	D (CLP)	D (BW)	D1	E	F	Inches	mm	(kg)	
25	1"	22	75	60	108	70	76	70	112	38	145	7/16 x 7/16	11.1 x 11.1	1.3	39
40	1.5"	35	89	68	119	76	87	76	118	45	145	7/16 x 7/16	11.1 x 11.1	1.7	95
50	2"	47	106	77	127	85	100	85	129	53	145	7/16 x 7/16	11.1 x 11.1	2.5	156
65	2.5"	60	129	86	135	99	124	99	143	65	176	9/16 x 9/16	14.3 x 14.3	4.0	272
80	3"	73	152	96	147	118	136	136	162	76	176	9/16 x 9/16	14.3 x 14.3	6.0	454
100	4"	97	188	113	161	152	159	159	196	94	206	9/16 x 9/16	14.3 x 14.3	11.0	852

NOTES

C = The center line to top of mounting surface when actuated.

C1 = The valve center line to top of manual valve.

D = The overall length for bare valves.

D1 = The overall length for BSM ended valves with union fitted to both ends.

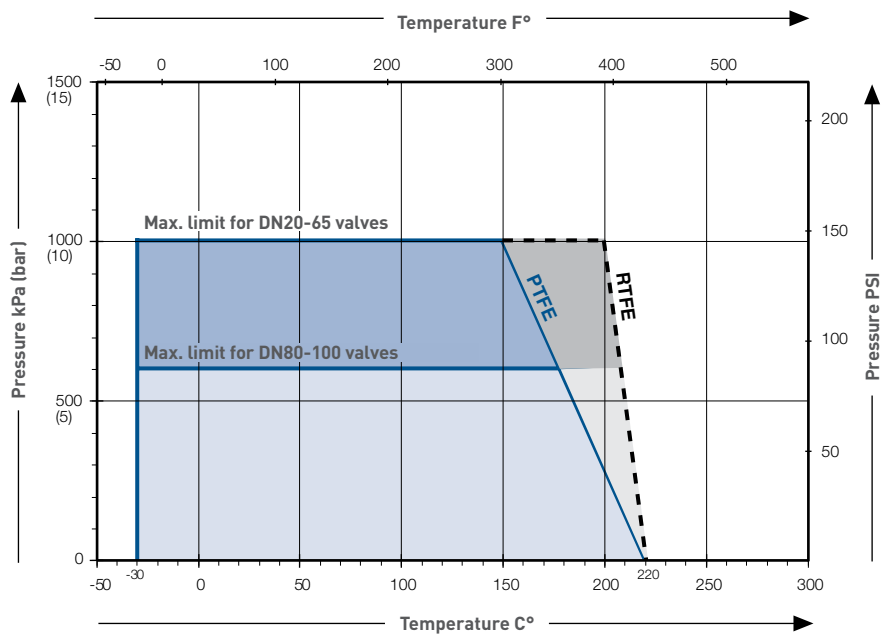
K_v = The volume of water in m³/hr that will pass through a given valve opening at a pressure drop of 1bar (100kPa) at 20°C.

C_v = 1.155 K_v.

Dimensions are nominal to ±1mm.

PENTAIR SÜDMO STAINLESS STEEL BALL VALVES F262 DN 25 (1.0'') - 100 (4.0'')

PRESSURE/TEMPERATURE RATING



PTFE seated

1000kPa (10bar) at 150°C DN 25-65
600kPa (6bar) at 180°C DN 80-100

RTFE seated (glass reinforced PTFE)

1000kPa (10bar) at 200°C DN 25-65
600kPa (6bar) at 210°C DN 80-100

TORQUE VALUES (Nm)

Valve Size mm	Light Service Nm	Severe Service Nm
25	10	20
40	13	25
50	15	30
65	20	40
80	25	50
100	30	60

SELECTION GUIDE

Example:	2.0"	F262	PTFE	RJT/RJT	F257
Valve size range - Metric (Inch OD)					
025 (1.0")					
040 (1.5")					
050 (2.0")					
065 (2.5")					
080 (3.0")					
100 (4.0")					
Figure					
F262	Stainless Steel Ball Valve Standard				
F262C	Stainless Steel Ball Valve CIP Option				
F262P	Stainless Steel Ball Valve Powder Seat				
Body	Ball	Stem	Seat		
316	316	316	PTFE		
316	316	316	RTFE/glass		
304	316	316	PTFE		
316	316	2205	PTFE (4.0" powder only)		
End connections: use "/" to define each body halves connection					
BW - Butt Weld, Inch Od tube sizing					
BSP - Internal Thread British Standard Pipe Taper (BSPT)					
CLP - Clamped End, Inch OD Sizing					
RJT - RJT Male Part (BSM Std)					
RJM - RJT Male Part (BSM) modified to remove spigot					
HEX - Hexagonal Nut & Liner, RJT					
SMS - SMS Male part, External Thread 6 TPI					
Extended Definer					
257 - Supplied c/w F257 drive stem & mount brackets for valve rated actuator (actuator not supplied)					
79S - Supplied c/w F79S drive stem & mount brackets for valve rated actuator (actuator not supplied)					
79U - Supplied c/w F79U drive stem & mount brackets for valve rated actuator (actuator not supplied)					
DRN - Drain hole in ball					
FLS - Flushing port (stub only - no CIP body/piston)					



PENTAIR FLOW TECHNOLOGIES PACIFIC PTY LTD

12-14 KAIMIRO STREET, PUKETE INDUSTRIAL ESTATE, HAMILTON, 3200, NEW ZEALAND ANZ.SALES@PENTAIR.COM WWW.PENTAIR.COM

All Pentair trademarks and logos are owned by Pentair. All other brand or product names are trademarks or registered marks of their respective owners.

Because we are continuously improving our products and services, Pentair reserves the right to change specifications without prior notice. Pentair is an equal opportunity employer.

PHOBE-0051 E-14/16 © 2016 Pentair - All Rights Reserved.